

# LMC

## Compact Compression Load Cell

### NEW PRODUCT INFORMATION

#### Compact, Lightweight, Suitable for Load Distribution Measurement

Compact and lightweight LMC-A series load cells can be used in various applications installing on subject sites or setting in hollows. Major applications

- ◆ Load measurement in places where have restriction in space or weight of load cell
- ◆ Load distribution measurement with multiple units
- ◆ Load measurement in compact press machines or pipe making mills

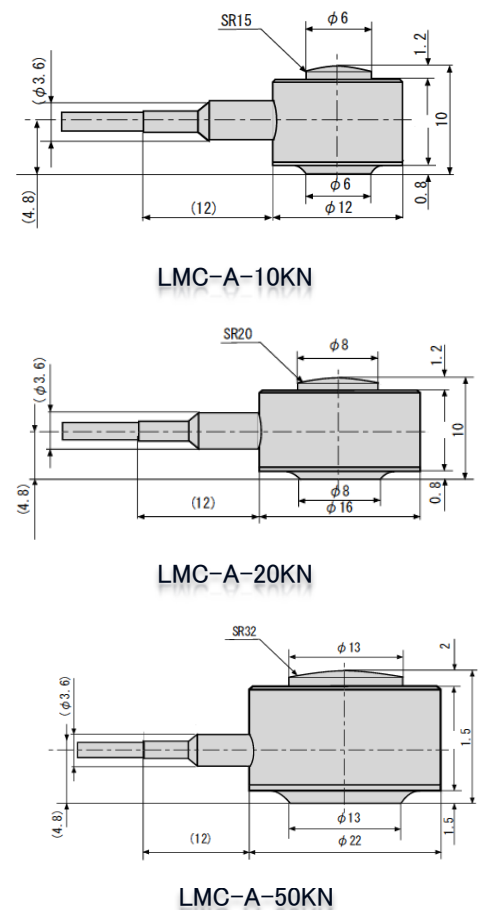


Model	Rated Capacity	Natural Frequency(Approx.)	Weight(Approx.)
LMC-A-10KN	10kN	38kHz	6g
LMC-A-20KN	20kN	41kHz	10g
LMC-A-50KN	50kN	29kHz	30g

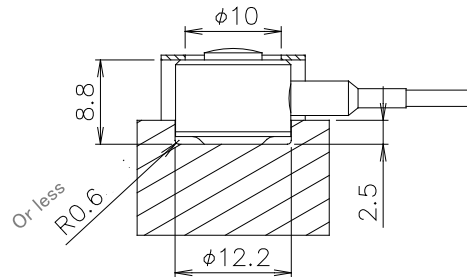
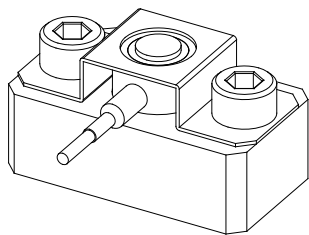
#### Specifications

Performance	
Nonlinearity	Within $\pm 0.5\%$ RO ( 20kN,50kN: Within $\pm 1\%$ RO)
Hysteresis	Within $\pm 0.5\%$ RO (20kN,50kN: Within $\pm 1\%$ RO)
Repeatability	0.5%Ro or less
Rated Output	1.5mV/V (30000 $\mu$ m/m) or more
Environmental Characteristics	
Safe Temperature Range	-10~80°C
Compensated Temperature Range	0~70°C
Temperature Effect on Zero Balance	Within $\pm 0.05\%$ RO/°C
Temperature Effect on Output	Within $\pm 0.05\%$ /°C
Electrical Characteristics	
Safe Excitation Voltage	7V AC or DC
Recommended Excitation Voltage	1~6V AC or DC
Input Resistance	350 $\Omega$ $\pm 2\%$
Output Resistance	350 $\Omega$ $\pm 2\%$
Cable	4-conductor (0.035 mm <sup>2</sup> ) vinyl shielded cable, 1.7 mm diameter by 2 m long, bared at the tip
Mechanical Properties	
Safe Overload Rating	150%
Material	Stainless steel
Protection Rating	Approximately equivalent to IP64

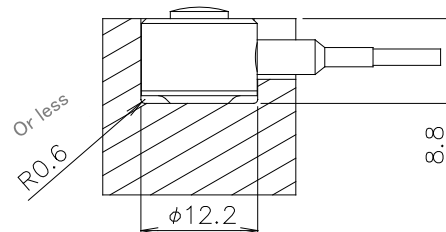
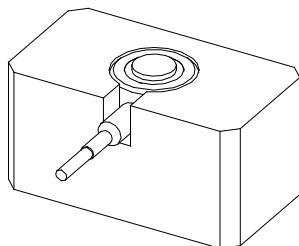
#### Dimensions



Attachment Example I (10kN)



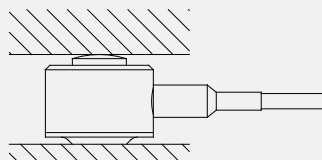
Attachment Example II (10kN)



※ Please be careful not to restrain the cylinder part of a load cell.

To Ensure Safe Usage

Spacer



Attachment

Since this Load cell is small high capacity, it attaches at the time of rated load, and the field pressure of a field becomes high.

HRC40 or more [ of SUS630-H900 grade ] spacer should be used for mounting.

The example of recommendation material.

Hardness of the spacer: HRC 35~38 SCM440

Hardness of the Attachment: HRC40 or more SUS630-H 900 SCM440



JQA-0821  
JQA-EM4824

Specifications are subject to change without notice for improvement.



**Safety precautions**

Be sure to observe the safety precautions given in the instruction manual, in order to ensure correct and safe operation.

Reliability through integration

**KYOWA**

**KYOWA ELECTRONIC INSTRUMENTS CO., LTD.**

Overseas Department:

3-5-1, Chofugaoka, Chofu, Tokyo 182-8520, Japan

Phone: +81-42-489-7220 Facsimile: +81-42-488-1122

http://www.kyowa-ei.com

e-mail: overseas@kyowa-ei.co.jp

Manufacturer's Representative