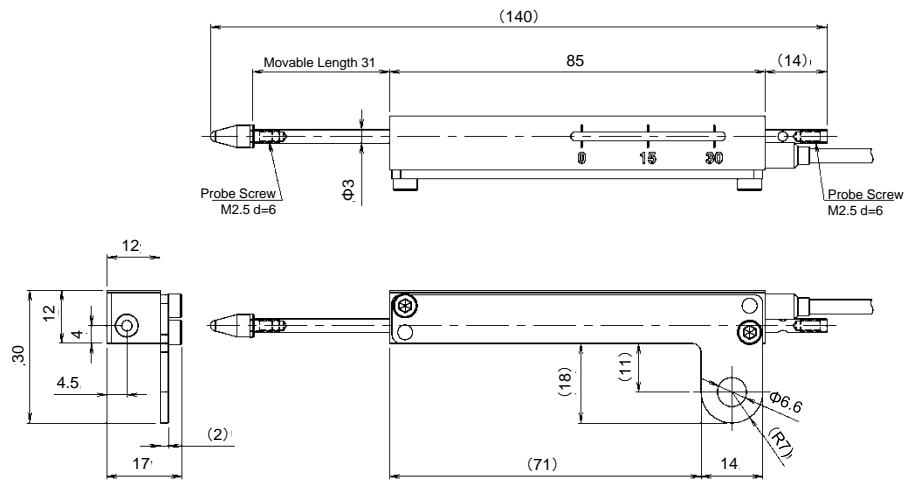


DTK-A

Displacement transducer

NEW PRODUCT INFORMATION

- Small and Square Shape
- For Push/ Pull
- Direct Reading Scale

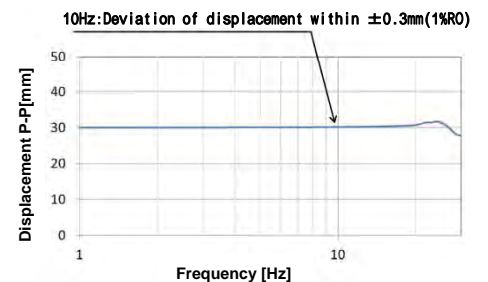


Specifications

Performance	
Rated Capacity:	30mm
Nonlinearity:	Within $\pm 0.3\%$ RO
Hysteresis:	Within $\pm 0.3\%$ RO
Repeatability:	0.3% RO or less
Rated Output:	2.5mV/V (5000 $\mu\text{m/m}$) or more
Environmental Characteristics	
Safe Temperature Range:	-10 to 70 (noncondensing)
Compensated Temperature Range:	0 to 60 (noncondensing)
Temperature Effect on Zero Balance :	Within $\pm 0.05\%$ RO /
Temperature Effect on Output:	Within $\pm 0.05\%$ /
Electrical Characteristics	
Safe Excitation Voltage:	6V AC or DC
Recommended Excitation Voltage:	1 to 5V AC or DC
Input Resistance:	350 $\Omega \pm 3\%$
Output Resistance:	350 $\Omega \pm 3\%$
Cable:	4-conductor (0.08mm ²) vinyl shielded cable, 3.2 mm diameter by 3 m long, terminated with connector plug

Mechanical Properties

Frequency Response Range : DC to Approx. 10Hz



Measuring Force : Approx. 2N

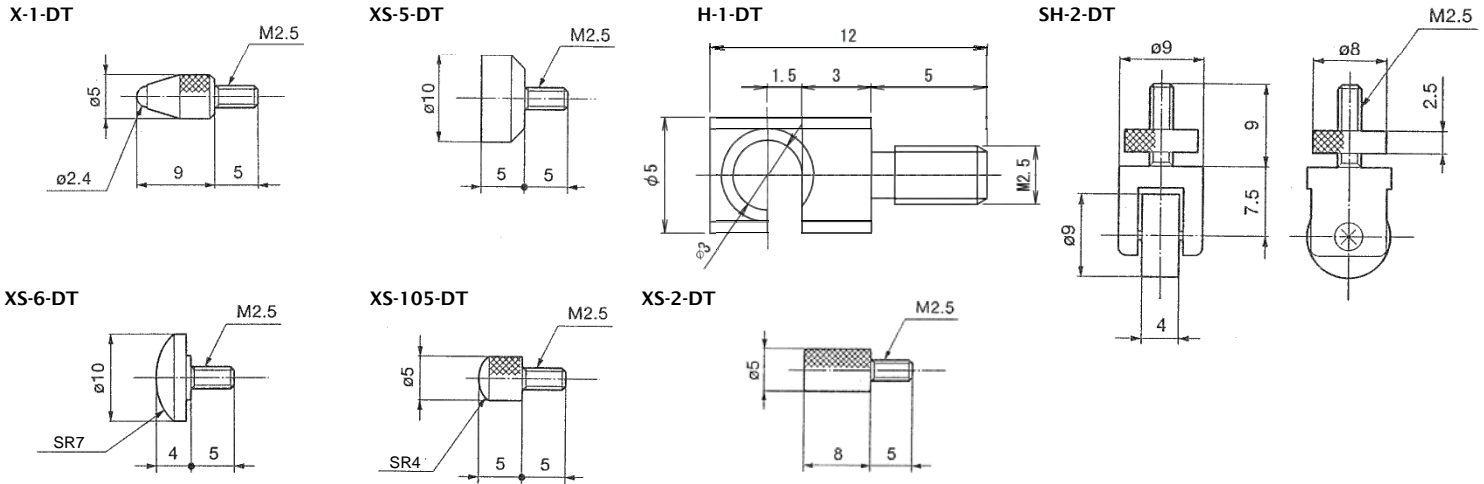
Weight : Approx. 25g (Not include cable)

Standard Accessories

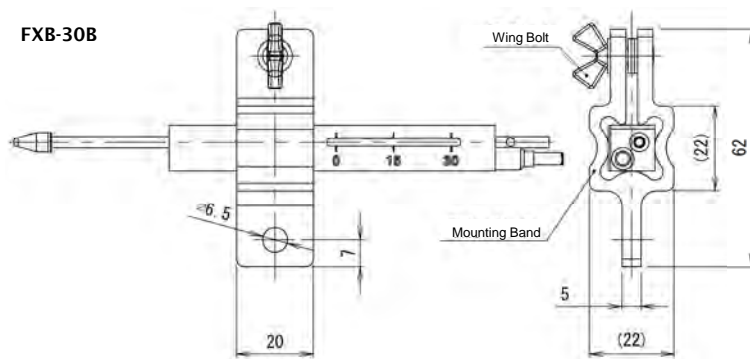
- Mounting Plate(DTK30-LP) : 1
- Hexagon Socket Head Cap Screw (M3 \times 6) : 2
- Pin($\phi 2 \times 20$) : 1

Optional Accessories

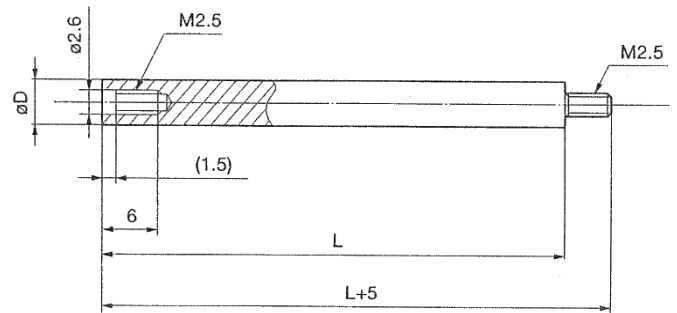
■ Probes



■ Mounting Band



■ Extension Rods



Model	ΦD	L
EB-50	4	50
EB-100	5	100
EB-200	6	200
EB-300	6	300



JQA-0821
JQA-EM4824

Specifications are subject to change without notice for improvement.



Safety precautions

Be sure to observe the safety precautions given in the instruction manual, in order to ensure correct and safe operation.

Manufacturer's Representative

Reliability through integration

KYOWA
KYOWA ELECTRONIC INSTRUMENTS CO.,LTD

Overseas Department:
3-5-1, Chofugaoka, Chofu-shi, Tokyo 182-8520, Japan
Phone: +81-42-489-7220 Facsimile: +81-42-488-1122
http://www.kyowa-ei.com
email:overseas@kyowa-ei.co.jp